

# Angle Mounting Bracket | AM-220

Bracket designed to mount Apogee Instruments infrared radiometers and radiation frost detectors to a mast or pipe at varying angles.

## Simple Mounting for All Applications

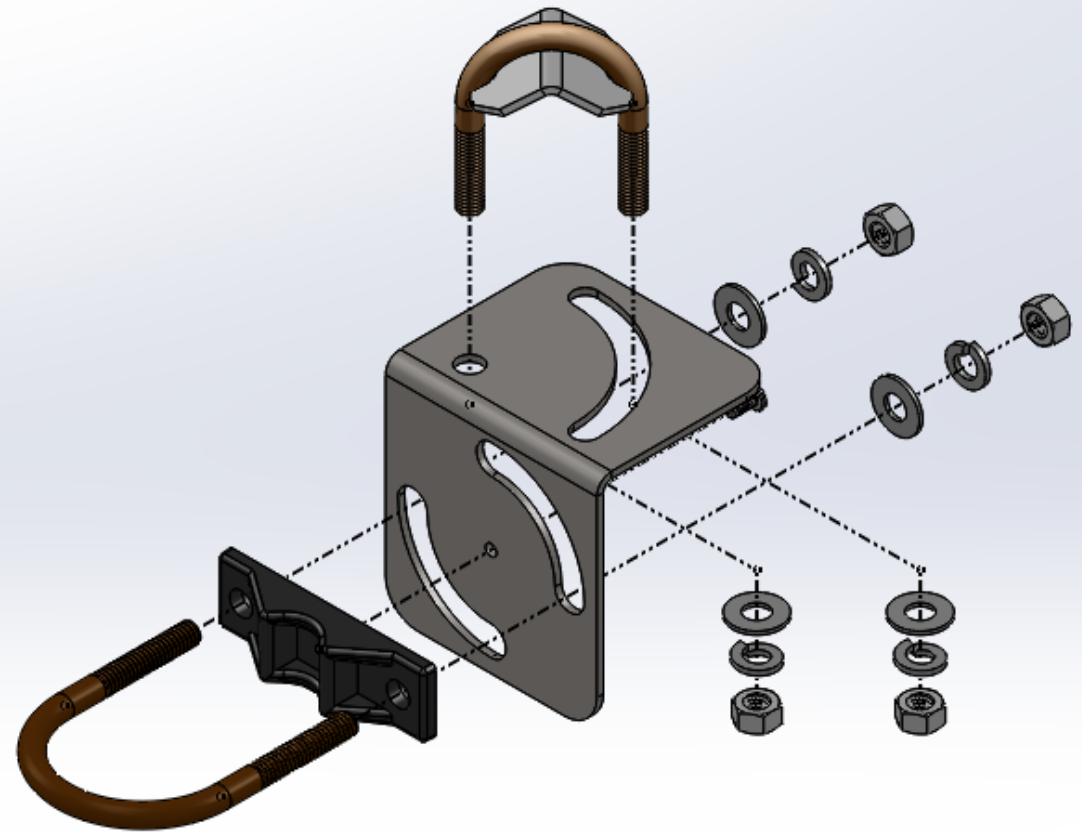
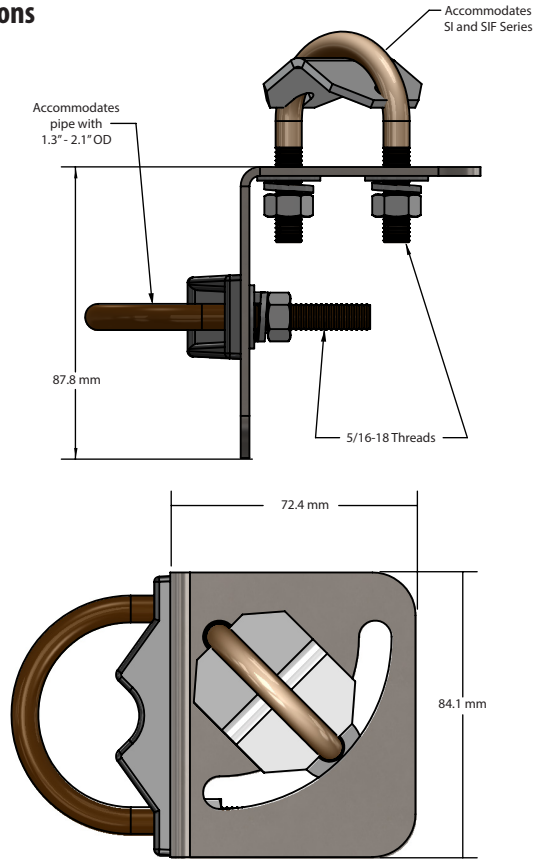
The AM-220 Angle Infrared Radiometer/Frost Detector Mounting Bracket is designed to be mount an Apogee Instruments infrared radiometer or radiation frost detector to a mast or pipe with an outer diameter of 1.3" - 2.1". The bracket is designed to orient the sensors at varying anglers to satisfy all applications.

## Accommodated Sensors Models

Bracket accommodates Apogee Instruments Infrared Radiometers SI and SIF series models and Radiation Frost Detectors SF series models.



## Dimensions



## AM-220

Dimensions	87.8 mm x 72.4 mm x 84.1 mm
Mass	371.2 g
Warranty	4 years against defects in materials and workmanship