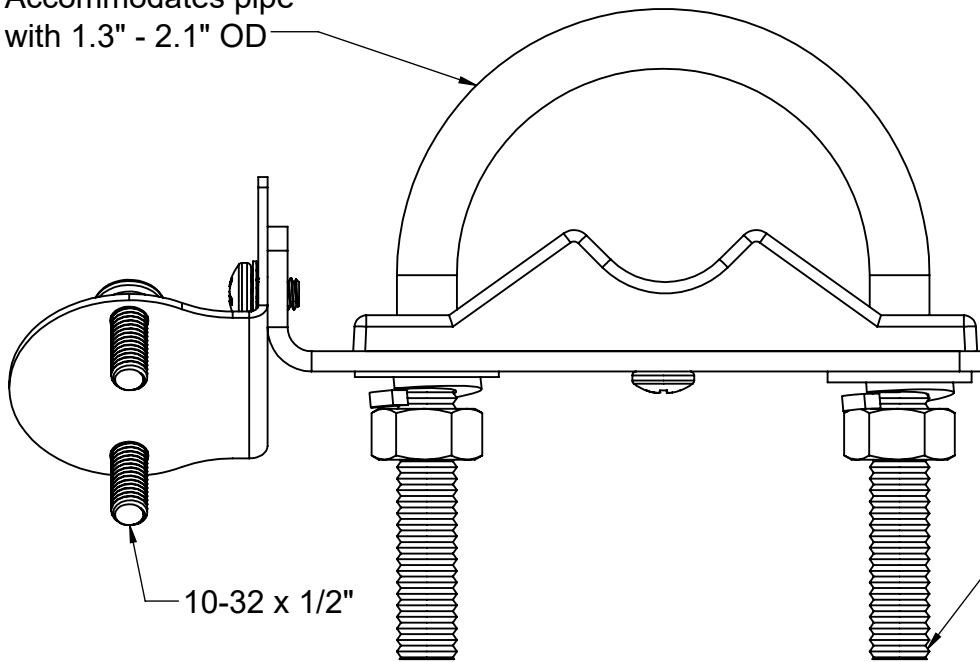
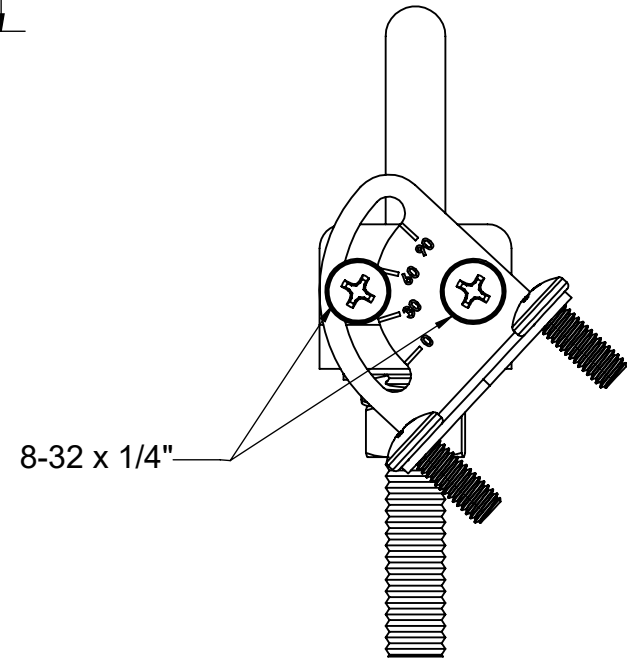


Accommodates pipe
with 1.3" - 2.1" OD



10-32 x 1/2"

5/16-18 Threads



8-32 x 1/4"

apogee
INSTRUMENTS

AM-400

Information in this drawing is provided for
reference only.

SCALE: 1:1

COPYRIGHT:
5/4/2017