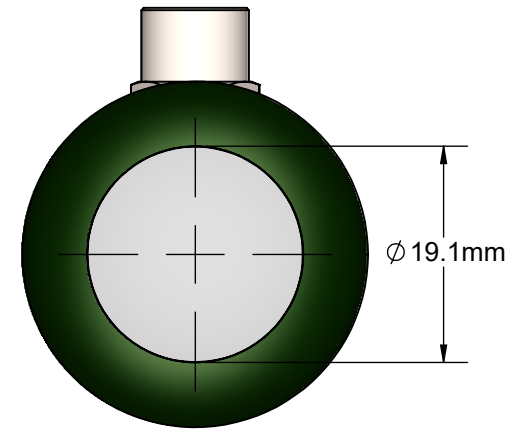
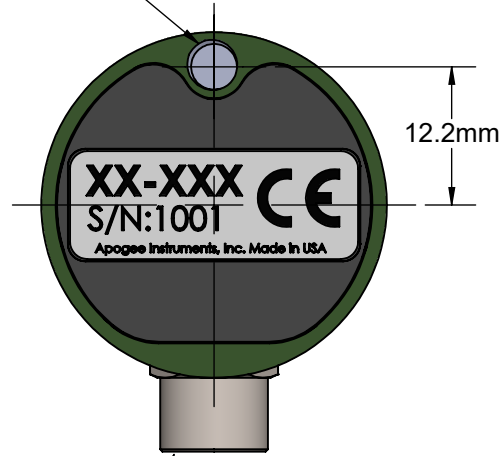
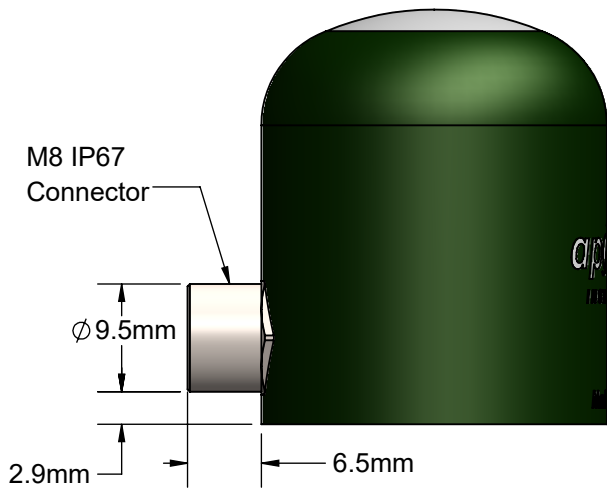
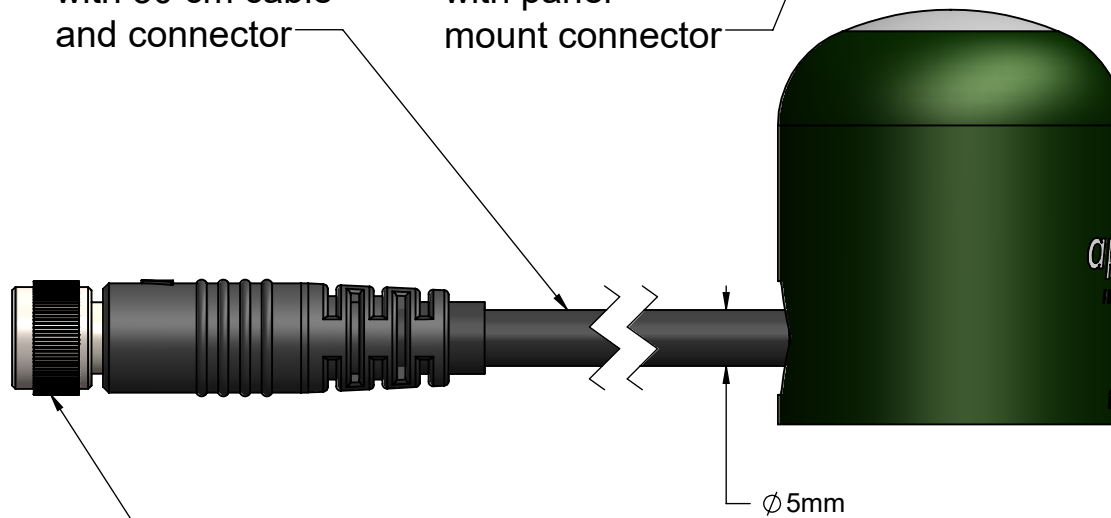


#10-32 UNF  
Tapped Hole

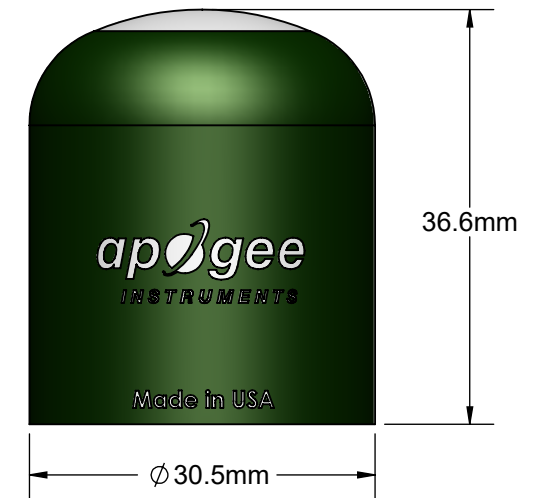


Analog version  
with 30 cm cable  
and connector

Digital version  
with panel  
mount connector



M8 IP67  
Connector



**apogee**  
INSTRUMENTS

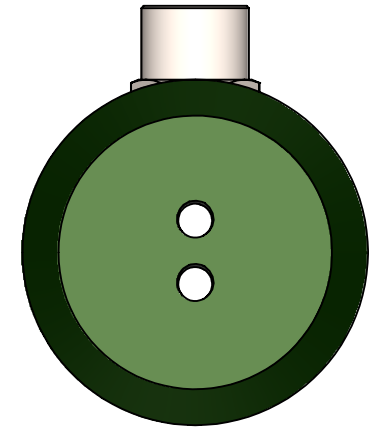
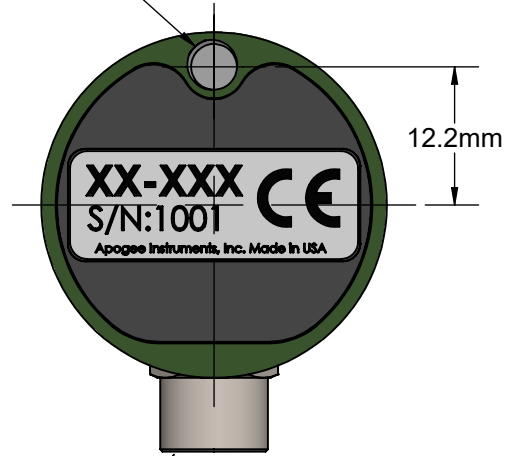
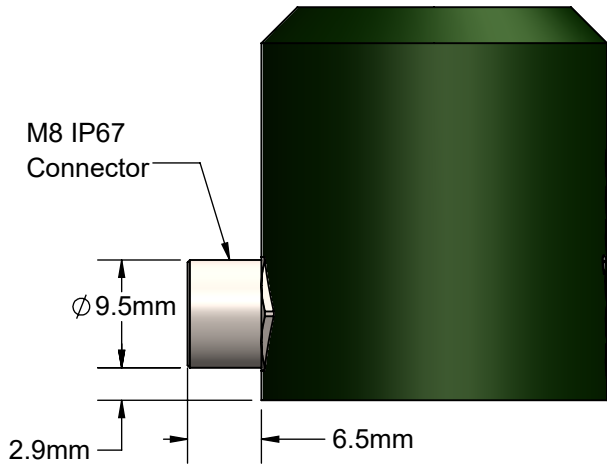
NDVI Radiometer  
(Upward)

Information in this drawing is provided for  
reference only.

SCALE: 3:2

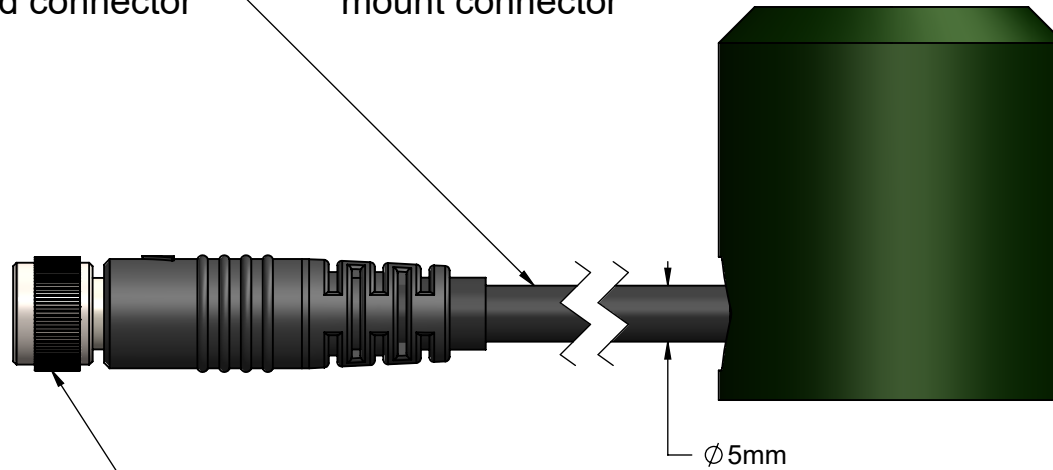
COPYRIGHT:  
12/22/2020

#10-32 UNF  
Tapped Hole

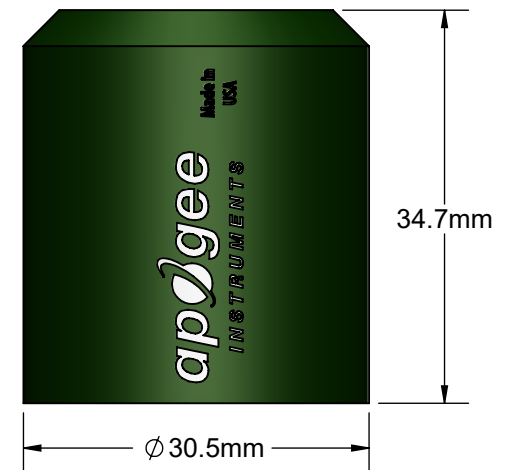


Analog version  
with 30 cm cable  
and connector

Digital version  
with panel  
mount connector



M8 IP67  
Connector



**apogee**  
INSTRUMENTS

NDVI Radiometer  
(Downward)

Information in this drawing is provided for  
reference only.

SCALE:  
3:2

COPYRIGHT:  
12/22/2020