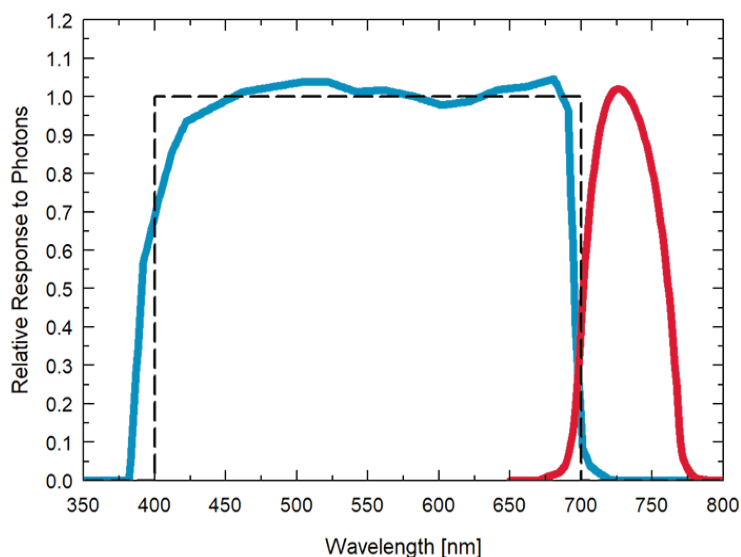


Spectral Response



Spectral response of **PAR detector (blue)** and **Far-red detector (red)** compared to defined response of plants to radiation (dashed).

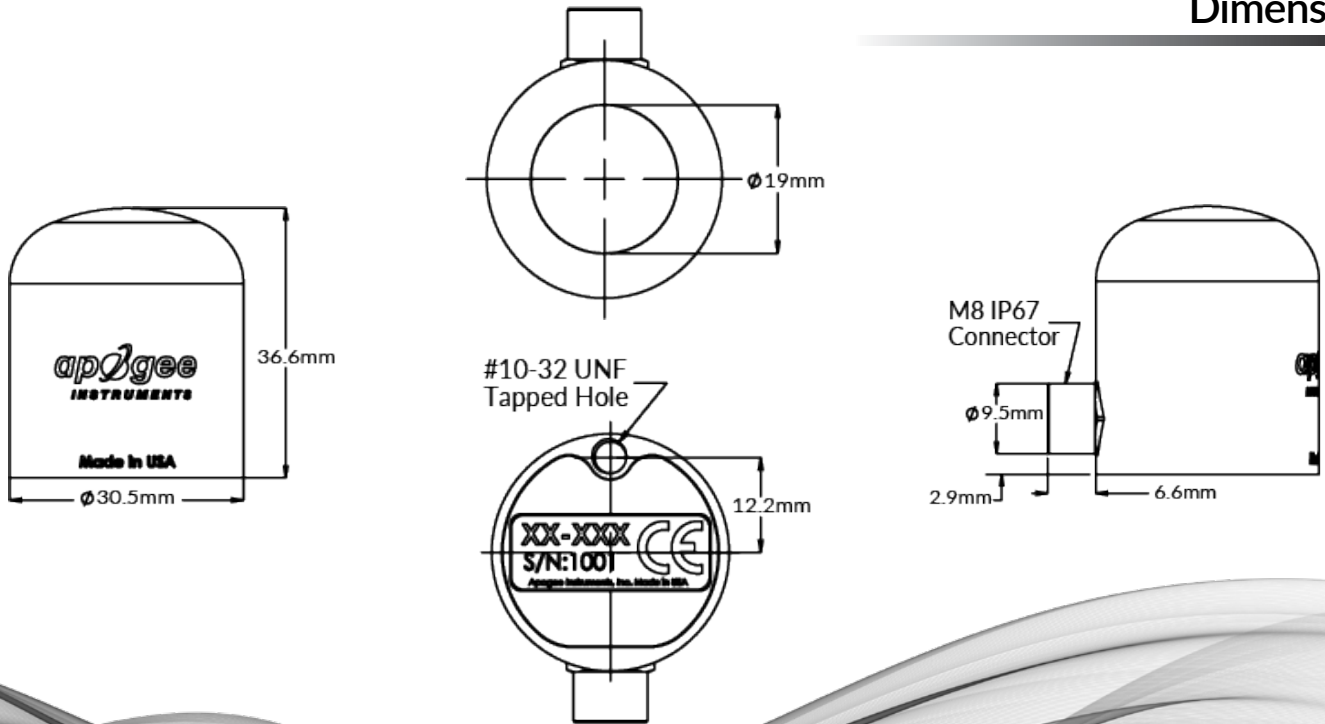
Product Specifications

	S2-141-SS	S2-441-SS	S2-442-SS
Power Supply	Self-powered	5.5 to 24 V DC	
Current Draw	—	1.4 mA (quiescent), 1.8 mA (active)	RS-232 37 mA; RS-485 quiescent 37 mA, active 42 mA
Output (sensitivity)	0.01 mV per $\mu\text{mol m}^{-2} \text{s}^{-1}$ (PAR) 0.02 mV per $\mu\text{mol m}^{-2} \text{s}^{-1}$ (Far-red)	—	
Calibration Factor (reciprocal of sensitivity)	$\sim 100 \mu\text{mol m}^{-2} \text{s}^{-1}$ per mV (PAR) $\sim 50 \mu\text{mol m}^{-2} \text{s}^{-1}$ per mV (Far-red)	Custom for each sensor and stored in firmware	
Calibration Uncertainty	$\pm 5 \%$		
Output Range	0 to 40 mV (PAR) 0 to 20 mV (Far-red)	SDI-12	Modbus
Measurement Repeatability	Less than 1 %		
Long-term Drift	Less than 2 % per year		
Non-linearity	Less than 1 % (up to $4000 \mu\text{mol m}^{-2} \text{s}^{-1}$) (PAR) Less than 1 % (up to $1000 \mu\text{mol m}^{-2} \text{s}^{-1}$) (Far-red)		
Response Time	Less than 1 ms	Less than 0.6 s	—
Field of View	180°		
Spectral Ranges (see graph)	389 to 692 nm ± 5 nm (PAR) 702 to 761 nm ± 5 nm (Far-red)		
Directional (Cosine) Response	$\pm 2 \%$ at 45°; $\pm 5 \%$ at 75° zenith angle		
Temperature Response	Less than 0.1 % per C		
Housing	Anodized aluminum body with acrylic diffuser		
IP Rating	IP68		
Operating Environment	-40 to 70 C; 0 to 100 % relative humidity		
Dimensions	30.5 mm diameter, 37 mm height		
Mass (with 5 m of cable)	140 g		
Warranty	4 years against defects in materials and workmanship		

Overview

The new Apogee PAR-FAR sensor is a research-grade tool for measuring both the traditional PPFD photosynthetic photon flux and separately quantifying the photon flux of far-red photons (700-760 nm). The outputs include the traditional quantum flux, the far-red photon flux, and the far-red fraction (far-red photon flux density / sum of PPFD and far-red photon flux density). This sensor quantifies far-red photons, and for many applications it reduces the need for a more complex measurement with a spectroradiometer.

Dimensions



Features

TYPICAL APPLICATIONS

- Monitoring plant light environments
- Research plant morphogenic activity
- Photobiology studies

KEY FEATURES

Digital SDI-12 output is standard with analog and Modbus options available. A domed diffuser promotes self-cleaning to minimize errors from dust and debris.

HIGH QUALITY CABLE

Pigtail-lead sensors feature on IP68, marine-grade stainless-steel cable connectors attached directly to the sensor head to simplify sensor removal for maintenance and recalibration.

